



Classic Cast Iron Stove Series

Vent-Free
Direct-Vent
B-Vent

CIBV-30 firebox and CIPG-1 casting shown with Empress Green Stone Inlays in the stove top and in the optional Corner Floor Pad



Warm Up To White Mountain Hearth

Warm Up To White Mountain Hearth



Classic AH Stove shown with CIVF-25 Vent-Free Firebox/Logset and traditional Floor Pad with Black Swan tile inlay (CIFPB-1 and CIFS-7E)

Classic Cast Iron Stoves

The Classic and Classic AH Cast Iron Stoves, by White Mountain Hearth, are traditionally styled stoves containing a strikingly detailed ceramic fiber gas log set. The result is an attractive, efficient heater that lends elegance to any décor.

We offer these versatile stoves in rich porcelain-finishes*, plus a flat black model you can leave as is or paint to match any décor. (Requires high-temperature coatings available from White Mountain Hearth and most hearth stores.) The optional stone inlays and matching floor pads add a touch of elegance. Order your Classic Cast Iron stove for natural gas or propane, and take charge with a thermostat, remote control, or remote control thermostat.

* Contact your dealer for color availability.



Vent-Free Flat Black Stove without
lace center panel

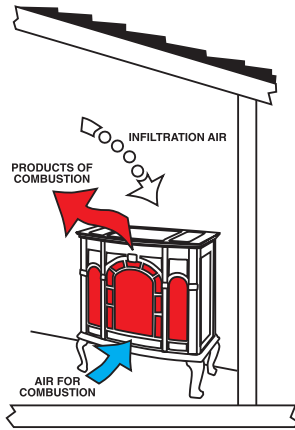
Vent-Free Porcelain Sand Stove
with Optional Stone Inlay

Direct Vent Porcelain Navy Stove
with Optional Stone Inlay

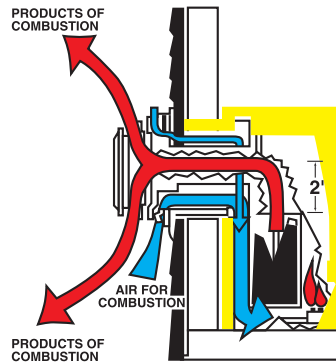
Vent-Free Porcelain Red Stove
with Optional Stone Inlay

Three Venting Choices

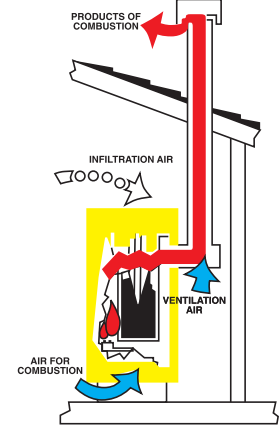
Vent-Free



Direct-Vent




Conventional Vent (B-vent)




Stone Colors for Inlays & Floor Pads	Slate Gray	Empress Green	Hunan Jade	Gray Botticino	Azul	Salome	Black Swan
Stone Inlay (replaces metal grille inlay)	CII-1	CII-2	CII-3	CII-4	CII-5	CII-6	CII-7
Traditional Floor Pad Stone Inlay Kit	N/A	CIFS-2G	CIFS-3J	CIFS-4B	CIFS-5A	CIFS-6S	CIFS-7E
Corner Floor Pad Stone Inlay Kit	N/A	CIFS-2GC	CIFS-3JC	CIFS-4BC	CIFS-5AC	CIFS-6SC	CIFS-7EC

Description	Painted Flat Black	Porcelain Black	Porcelain Green	Porcelain Beige	Porcelain Red
Cast Iron Inlay for AH	CT-2500-FB	CT-2500-BK	CT-2500-GR	CT-2500-BG	CT-2500-RD
Description	Black Granite	Black/White Granite	Black/Red Granite	Beige Granite	Gray Granite
Stone Inlay for AH	SI-2500-BK	SI-2500-BW	SI-2500-RD	SI-2500-BG	SI-2500-GR


Floor Tile	Oak Floor Pad (EPF-1) Requires Tile	Corner Oak Floor Pad (EPC-1) Requires Tile
Bone Colored Tile	ESF-R	ESC-R
Gray Colored Tile	ESF-G	ESC-G
Black Colored Tile	ESF-B	ESC-B
Oak Floor Pad Tongue and Groove (no tile)	FWTG	CWTG




FREC Remote Control




FRBTC and FRBC Remotes



FWS Switch



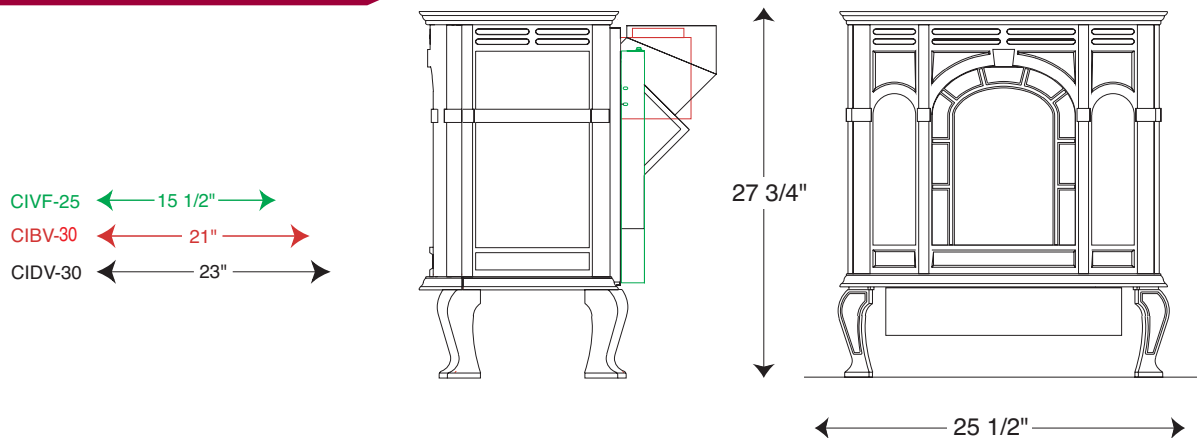
TMV Thermostat



TRW Thermostat

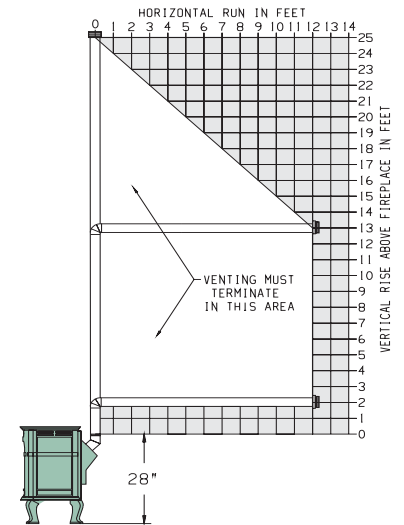
Control Options

Classic Cast Iron Stove Dimensions



Classic Cast Iron Stove Options

Classic Cast Iron Stove Casting (Requires a Firebox)					
CIFB	Flat Black	CIPG	Porcelain Green	CIPN	Porcelain Navy
		CIPS	Porcelain Sand	CIPR	Porcelain Red
AH Cast Iron Stove Casting (Requires a Firebox)					
CS-2500-FB	Flat Black	CS-2500-GR	Porcelain Green	CS-2500-RD	Porcelain Red
CS-2500-BK	Porcelain Black	CS-2500-BG	Porcelain Beige		
Vent-Free Firebox (Requires a Casting)					
Model CIVF-25		Btu Input 30,000		Designed for almost any room in your home, our Classic vent-free stove is 99% fuel-efficient and can be placed against almost any wall since no venting is required. It can even be set in a corner for space-saving convenience. For maximum safety, the pilot light is equipped with an automatic shut-off valve and oxygen depletion sensor.	
Temperature Control on/off Millivolt (remote capable)					
Casting Shipping Weight 126 lbs.		Firebox Shipping Weight 64 lbs.			
Minimum Clearances to Combustibles		Top 24-inch Corner 4-inch			
Side (from the edge of the top molding) 6-inch		Rear 2-inch from rear cover			
Safety Controls Automatic Shut-Off and Oxygen Depletion Sensor Pilot					
Direct Vent Firebox (Simpson Dura-Vent or American Metal Components Required)					
Model CIDV-30		Btu Input 30,000		With our Classic direct vent stove, there is no need for a traditional chimney or masonry. Our vent-within-a-vent system draws outside air to support combustion and exhausts combustion by-products to the outdoors.	
Temperature Control on/off Millivolt (remote capable)					
Casting Shipping Weight 126 lbs.		Firebox Shipping Weight 91 lbs.			
Minimum Clearances to Combustibles		Top 36-inch Corner 4-inch			
Side (from the edge of the top molding) 6-inch		Rear 2-inch from pipe			
Safety Controls Automatic Shut-Off					
B-Vent Firebox (4-inch Vent Pipe Required)					
Model CIBV-30		Btu Input 30,000		Our conventional vent (B-vent) system allows a connection to an existing flue or it can be vented vertically. The vent pipe is connected between the stove and an existing chimney (or flue). This method is perfect if replacing a current wood stove or for installation where there is no access to an outside wall.	
Temperature Control on/off Millivolt (remote capable)					
Casting Shipping Weight 126 lbs.		Firebox Shipping Weight 87 lbs.			
Minimum Clearances to Combustibles		Top 36-inch Corner 4-inch			
Side (from the edge of the top molding) 6-inch		Rear 2-inch from rear of draft hood			
Safety Controls Automatic Shut-Off					
Accessories					
TMV	Wall Thermostat				
TRW	Wireless Thermostat				
FRBC	Battery Operated Remote Control				
FRBTC	Battery Operated Remote Control with Thermostat				
FREC	Electric Remote Control				
FWS	Wall Switch				
DVKH	Direct Vent Kit for Horizontal Run (includes adapter) model CIDV-30 only				
DVKA	Direct Vent Kit Adapter				
DVKV	Direct Vent Kit for Vertical Run (includes adapter) model CIDV-30 only				
CIB	Automatic Blower				
Gas Inlet					
Type of Gas (State on Order) Natural or LP					
Iron Pipe Size (N.P.T.) 1/2-inch CIDV and CIBV 3/8-inch CIVF					
Ignition System Standing Pilot/Piezo					



Warranty
All vent-free parts carry a 5-year limited warranty with a 5-year limited labor warranty. All vented parts carry a 3-year limited warranty. Note: Empire Comfort Systems is committed to continuous product improvement; specifications are subject to change without notice. Flame size, shape, and color will vary from photos.

* With Diverter

Vent-Free appliances may be installed in an aftermarket (mobile) home where not prohibited by state or local codes. The approval (G1-0504-90B) has been granted subject to the installation in compliance with CMR 248, 527 CMR 30, Massachusetts State Plumbing Code and/or the Massachusetts Fuel Gas Code.

Member of the following industry associations:



This appliance is design-certified to the ANSI standard by:



Warm Up To White Mountain Hearth

Empire Comfort Systems, Inc. • 918 Freeburg Ave. • Belleville, IL 62220-2623
618-233-7420 • 800-851-3153 • FAX 618-233-7097 • 800-443-8648

E-mail: info@empirecomfort.com

© Empire Comfort Systems, Inc.

WMH-53 Rev. A 1/07

The ECS, Empire Comfort Systems and White Mountain Hearth names and logos are registered U.S. trademarks.

Photographs represent Empire Comfort Systems products. The actual flame color and pattern may vary due to air movement, location of the product, climate, and amount and quality of insulation.